

Mercedes-Benz G63 AMG 6X6

Owner's manual with assembly instructions



Licensed battery powered ride-on

“Mercedes-Benz”,  ,  and the design of the enclosed product are subject to intellectual property protection owned by Daimler AG. They are used by Beyond Infinity Limited under license.

Read and understand this entire manual before using!

Please keep this manual for future reference as it contains important information.

Before first time use, charge the battery for at least 8-12 hours.

24. Troubleshooting Guide

Problem	Possible Cause	Solution
Vehicle does not run	Battery low on power	Recharge battery.
	Thermal fuse has tripped	Reset fuse, see <Fuse>
	Battery connector or wires are loose	Check that the battery connectors are firmly plugged into each other. If wires are loose around the motor contact your distributor please.
	Battery is dead	Replace battery, contact your distributor please.
	Electrical system is damaged	Contact your distributor please.
	Motor is damaged	Contact your distributor please.
Vehicle does not run very long	Battery is under charged	Check that the battery connectors are firmly plugged into each other when recharging
	Battery is old	Replace battery, contact your distributor please.
Vehicle runs sluggishly	Battery low on power	Recharge battery, contact your distributor please.
	Battery is old	Replace battery, contact your distributor please.
	Vehicle is overload	Reduce weight on vehicle. Maximum user weight is 30 kgs.
	Vehicle is being used in harsh conditions	Avoid using vehicle in harsh conditions ,see <Safety>.
Vehicle needs a push to go forward	Poor contact of wires or Connectors	Check that the battery connectors are firmly plugged into each other. If wires are loose around the motor, contact your distributor please.
	“Dead Spot” on motor	A dead spot means the electric power is not being delivered to the terminal connection and the vehicle needs repair. Contact your distributor please.
Difficult shifting from forward to reverse or vice-versa	Attempting to shift while the vehicle is motion	Completely stop the vehicle and shift, see <Use Your New Vehicle>
Loud grinding or clicking noises coming from motor or gear box	Motor or gears are damaged	Contact your distributor please.
Battery will not recharge	Battery connector or adapter connector is loose	Check that the battery connectors are firmly plugged into each other.
	Charger not plugged in	Check that the battery charger is plugged into a working wall outlet.
	Charger is not working	Contact your distributor please.
Charger feels warm when recharging	This is normal and not a cause for concern	

Completely read through this manual and the troubleshooting guide table before calling. If you still need help resolving the problem **Contact your distributor please.**

23.Fuse & Maintaining

Protector

This product is equipped with a self-resetting protector. When overloaded or improperly used, the self-resetting protector will automatically cut off the power for 15-20 seconds, and then restart. The self-resetting protector of this car is installed under the seat.

To avoid losing power, follow these guidelines:

- Do not overload the vehicle.
- Do not tow anything behind the vehicle.
- Do not drive up steep slopes.
- Do not drive into fixed objects, which may cause the wheels to spin, causing the motor to overheat.
- Do not drive in very hot weather, components may overheat.
- Do not allow water or other liquids to come in contact with the battery or other electric components.
- Do not tamper with the electric system. Doing so may create a short, causing the fuse to trip.

Maintaining

- It is parents' responsibility to check main parts of the toy before using, Must regularly examine for potential hazard, such as the battery, charge,cable or cord, plug, screws are fastening enclosure of other parts and that in the event of such damage, the toy must not be used until that damage had been properly removed.
- Make sure the plastic parts of the vehicle are not cracked or broken.
- Occasionally use a lightweight oil to lubricate moving parts such as wheels.
- Park the vehicle indoors or cover it with a tarp to protect it from wet weather.
- Keep the vehicle away from sources of heat, such as stoves and heaters. Plastic parts may melt.
- Recharge the battery after each use. Only an adult can handle the battery. Recharge the battery at least once a month when the vehicle Raider is not being used.
- Do not wash the vehicle with a hose. Do not wash the vehicle with soap and water. Do not drive the vehicle in rainy or snowy weather. Water will damage the motor, electric system and battery.
- Clean the vehicle with a soft, dry cloth. To restore shine to plastic parts, use a non-wax furniture polish. Do not use car wax. Do not use abrasive cleaners.
- Do not drive the vehicle in loose dirt, sand or fine gravel which could damage the moving parts, motors or the electric system.
- When not using, all the electrical source should be turn off. Turn off the power switch and disconnect the battery connection.

1. About Your New Vehicle

SPECIFICATIONS:

Age	37-95 months	Load limit	25KG
Battery	12V10A		
Motor	12V RPM-15000/24V RPM18000		
Speed	3-5km/h		
Protector	15A		
Charger	12V1000mA		
Charging time	8-12h		
Size	120*68*61cm		



BATTERY INFORMATION

- Non-rechargeable batteries are not to be recharged.
- If removable rechargeable batteries are used, they are only to be charged under adult supervision.
- Remove rechargeable batteries from the product before charging.
- Do not mix old and new batteries. Do not mix different types of batteries: alkaline, standard (carbon-zinc) or rechargeable (nickel-cadmium).
- Insert batteries as indicated inside the battery compartment, anode to anode, cathode to cathode.
- Remove batteries during long periods of non-use. Always remove exhausted batteries from the product. Battery leakage and corrosion can damage this product. Dispose of batteries safely.
- Never short circuit the battery terminals.

2.Parts List

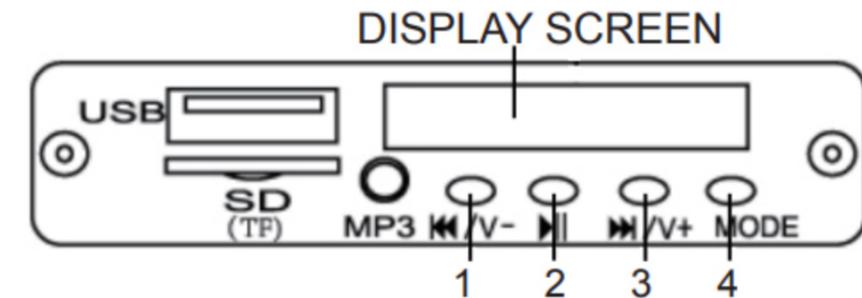
NO.	PART NAME	QTY(PCS)			REMARK
		2WD	4WD	6WD	
1	Seat	1	1	1	
2	Motor connection	2	4	6	
3	Rear cover	1	1	1	
4	Shaft sleeve	2	/	/	
5	Wheel cover	6	6	6	
6	Tailstock	1	1	1	
7	Wind deflector	1	1	1	
8	Steering rod	1	1	1	
9	Steering wheel	1	1	1	
10	Steering wheel trim	1	1	1	
11	Back tube	1	1	1	
12	Reflector	1	1	1	
13	Remote control	1	1	1	
14	Manual	1	1	1	
15	Charger	1	1	1	
16	Motor	2	4	6	
17	Spanner	2	2	2	
18	Wheel	6	6	6	
19	Damping spring	4	4	4	
20	Spring gland	4	4	4	
21	Front axle	1	1	1	
22	Rear axle	2	2	2	

A	4x12 Self-tapping screws	6	6	6	
B	M10 Washer	14	10	8	
C	M8 Nut	7	7	7	

- Assembly tools required:
Screwdriver
(not included)



21.Music Player Function



Note: no music in factory settings, The method to turn on the player's built-in music function is as follows:

Start the product, after the engine sound stops, press and hold the pause button for 5-6 seconds, the screen displays the word "ON" and release the button, press it again for 1-2 seconds, after the word "ON" disappears, the built-in music function of the player can be used normally (the method to turn off the function is the same, and the word "OFF" is displayed on the screen).

Button 1: Voice reduce and cut for next song, press 1 second is cut for next song.

Long press about 3 seconds is reduce the music voice.

Button 2: Pause button, click is suspend play music, when press the return to play mode again.

Button 3: Voice increase and cut for last song, press 1 second is cut for last song.

Long press about 3 seconds is increase the music voice.

Button 4: Pattern, on the USB plug have U disk, SD card is inserted in the inside, MP3 also insert, click in this button will turn to the next.

Whether the USB or SD or MP3, finally play music after insert is Preferred to read card.

22.Charging

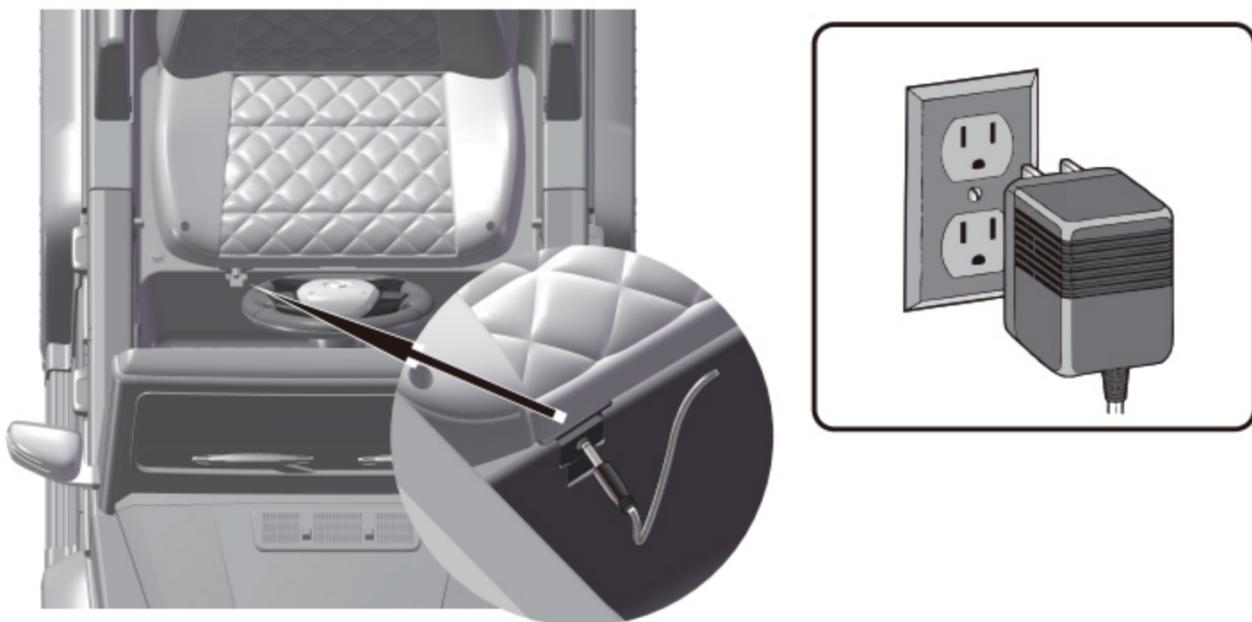
⚠ WARNING!

- **ONLY an adult is allowed charge and recharge the battery!**
- **This product with Charging Protection: when charging, all functions will be cut off.**

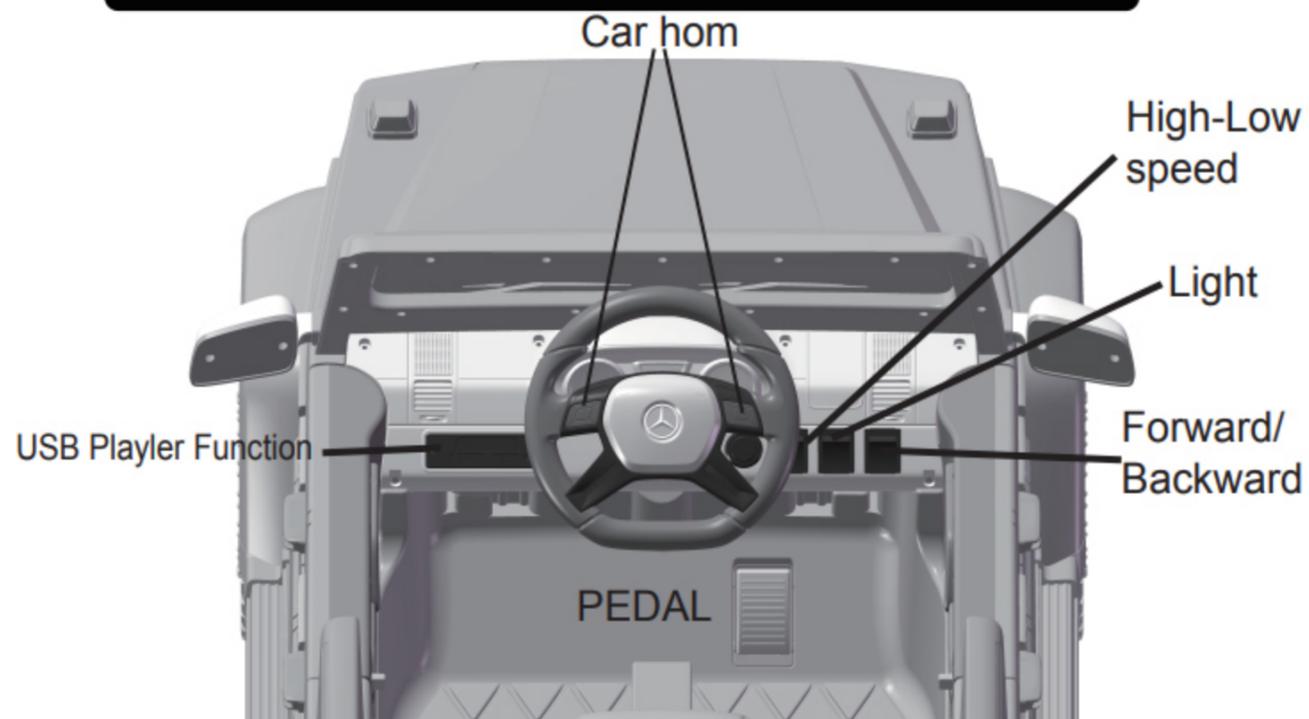
- The POWER SWITCH must be turned in OFF position when charging.
- Before the first use, you should charge the battery for 4-6 hours. Do not recharge the battery for more than 10 hours to avoid overheating the charger.
- When the vehicle begins to run slowly, recharge the battery.
- After each use or once a month minimum recharge time as 8 to 12 hours, less than 20 hours at most.
- Use the only rechargeable battery and charger supplied with your vehicle. NEVER substitute the battery or the charger with another brand. Using another battery or charger may cause a fire or explosion.
- Do not use the battery or charger for any other product.

19. Charging

1. Insert the charger plug into the charging hole on the left side of the car seat as shown below.
 2. Insert the charger power plug into a stable and matched AC power source as shown in the figure.
- Note when charging: To ensure safety, the car must be charged by an adult.
For details, please see (Things to know before charging)

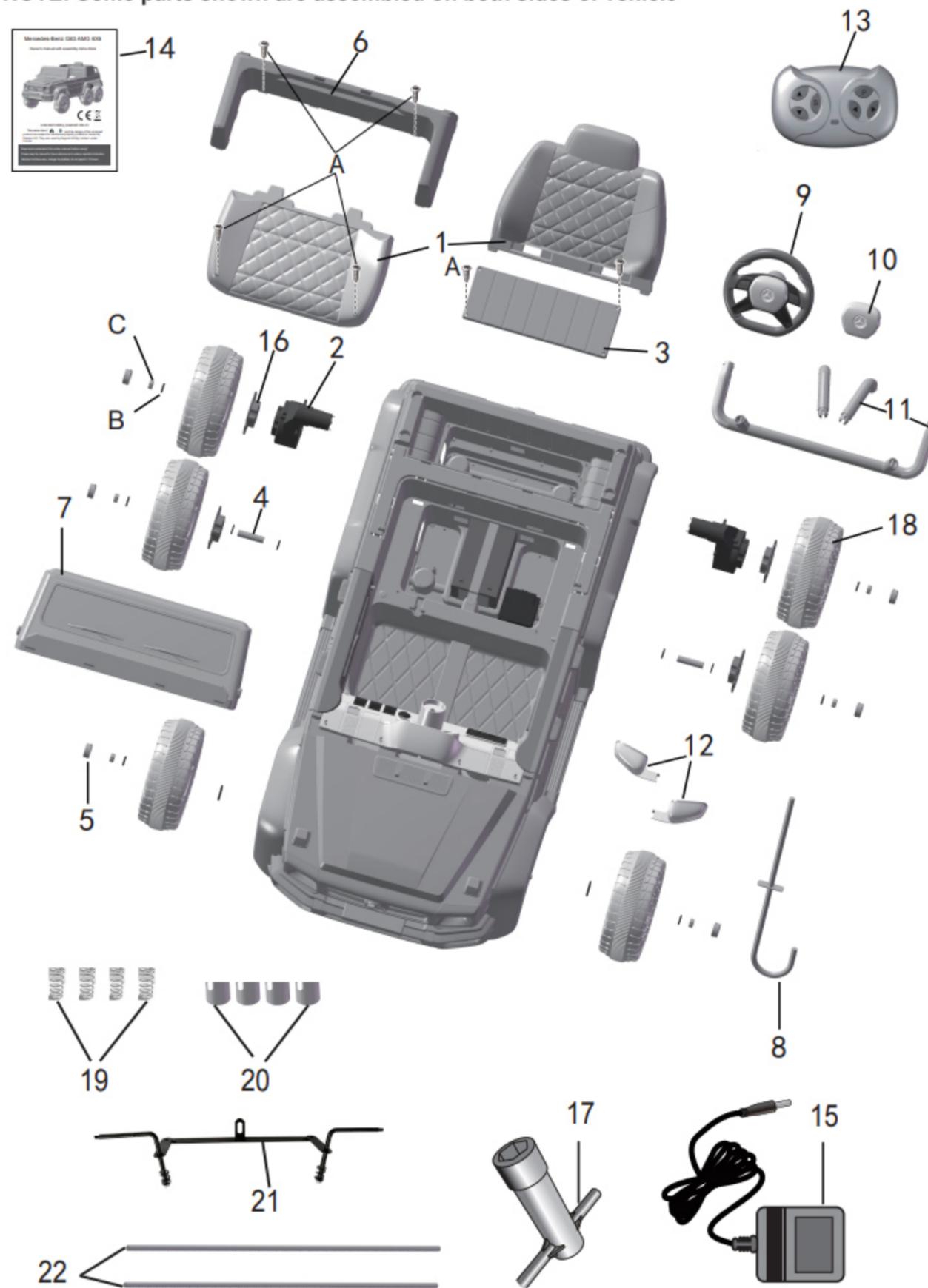


20. Use Your New Vehicle



3. Parts Diagram

NOTE: Some parts shown are assembled on both sides of vehicle



4. Safety



PREVENT INJURIES AND DEATHS:

- **NEVER LEAVE CHILD UNATTENDED. ADULT DIRECT SUPERVISION IS REQUIRED.** Always keep child in view when child is in vehicle.
- This toy should be used with caution since skill is required to avoid falls or collisions causing injury to the user or third parties.
- Protective equipment should be worn.
- Never use in roadways, near cars, on or near steep inclines or steps, swimming pools or other bodies of water.
- Always wear shoes, always sit on the seat.
- Not to be used in traffic.
- This toy is unsuitable for children under 37 months due to its maximum speed; Maximum user weight is 25 kgs.
- This toy has no brake.

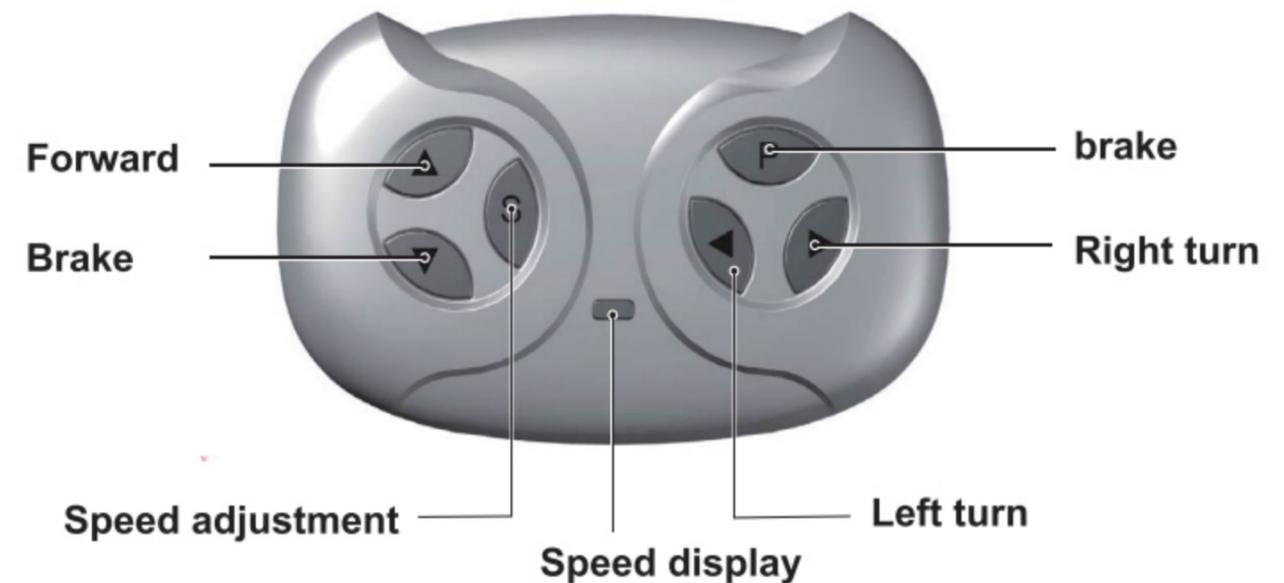
WARNING:

- **CHOKING HAZARD!** Not suitable for children under 37 months.
- **ADULT ASSEMBLY REQUIRED.**

Rules for Safe Riding

- Use the toy only on flat surfaces. Such as inside your house, garden or playground.
- Never use in the dark. A child could encounter unexpected obstacles and have an accident. Operate the vehicle only in the daytime or a well-lit area.
- It is prohibited to change the circuit or add other electric parts
- Inspect wires and connections of the vehicle periodically.
- Do not let any child touch the wheels or be near them when the car is moving .
- This vehicle has adjustable play seat belts. Please instruct children how to tie the safety belt before using, guarantee the security.

18. Use the Remote Controller



The remote control has precedence over foot pedal operation.
(The foot pedal won't work while you operate the Remote Controller)

ASSEMBLY

Lift the battery compartment door on the back of the controller and insert two AAA(LR03) batteries.

NOTE: This product did not included the AA(LR6) batteries. Follow the battery information on page 1.

1. Connection button

Long press the **Connection button** for 2~4 seconds first; Then turn on the power button located on the vehicle dashboard console, when the status indicator **flashes**, means the connection successful. If the status indicator no response, means the connection failed. Replace the batteries and repeat the steps above and try again.

2. Brake button

Press the button to stop the vehicle, press it again to release the brake.

3. Speed select button

The switch operates the vehicle to move in low, normal or high speed.

HINT: The vehicle is designed to operate in low speed only in reverse.

NOTE:

- Leave the remote controller idling for about 10 seconds, it will shut down automatically.
- Repeat step 1 when you replace the batteries of the remote controller.

17. Seat installation

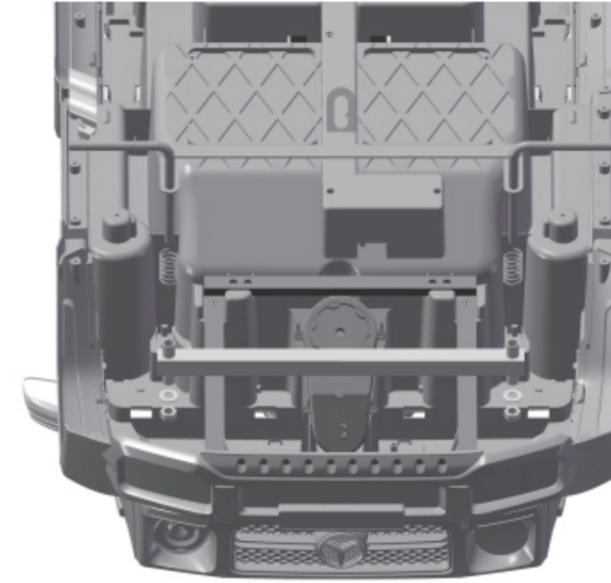


1. Install the backrest to make sure that the rear clip is inserted into the tailstock slot;
2. Install the seat cushion, push it along the seat slot of the body, and snap it into the slot on the underside of the backrest.



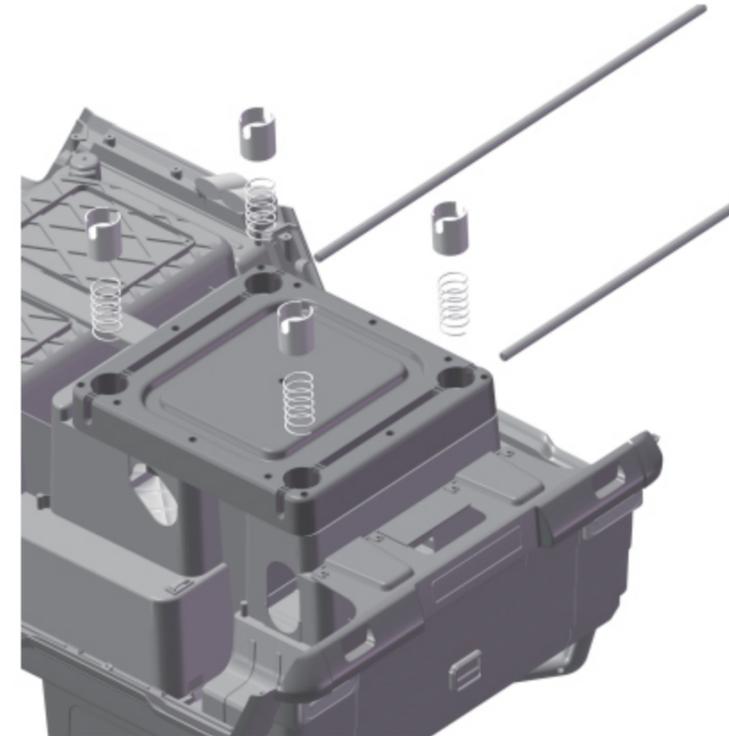
3. Use 2 screws to fix

5. Install the front axle



Remove the nut and washer on the front axle, install it according to the position shown in the figure, and fix it with a nut and washer

6. Install the rear axle



Put the damping spring and the spring gland into the rear axle slot in turn, then press the spring gland down and insert the rear axle into the rear axle slot through the spring gland slot.

7. Attach the front wheel

Dual drive/ Four-wheel drive



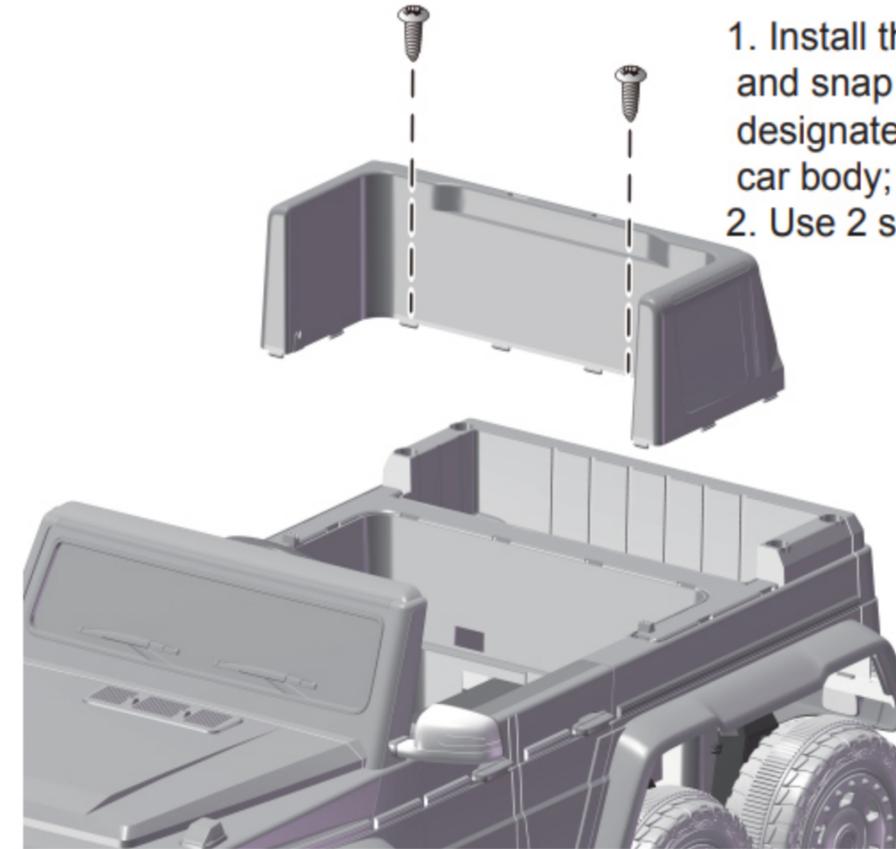
1. Install a M10 washer gasket on the front axle;
2. Load the wheels;
3. Install another M10 washer;
4. Use a wrench to secure the M8 nut;
5. Clip into the wheel cover decoration Install the other side in the same way.

Six-wheel drive



1. Install the drive wheel with plum blossoms to ensure that the drive wheel plum blossoms are locked into the drive motor quincunx slot;
2. Install a M10 washer;
3. Use a wrench to secure the M8 nut;
4. Clip into the wheel cover decoration Install the other side in the same way.

15. Rear tailstock installation



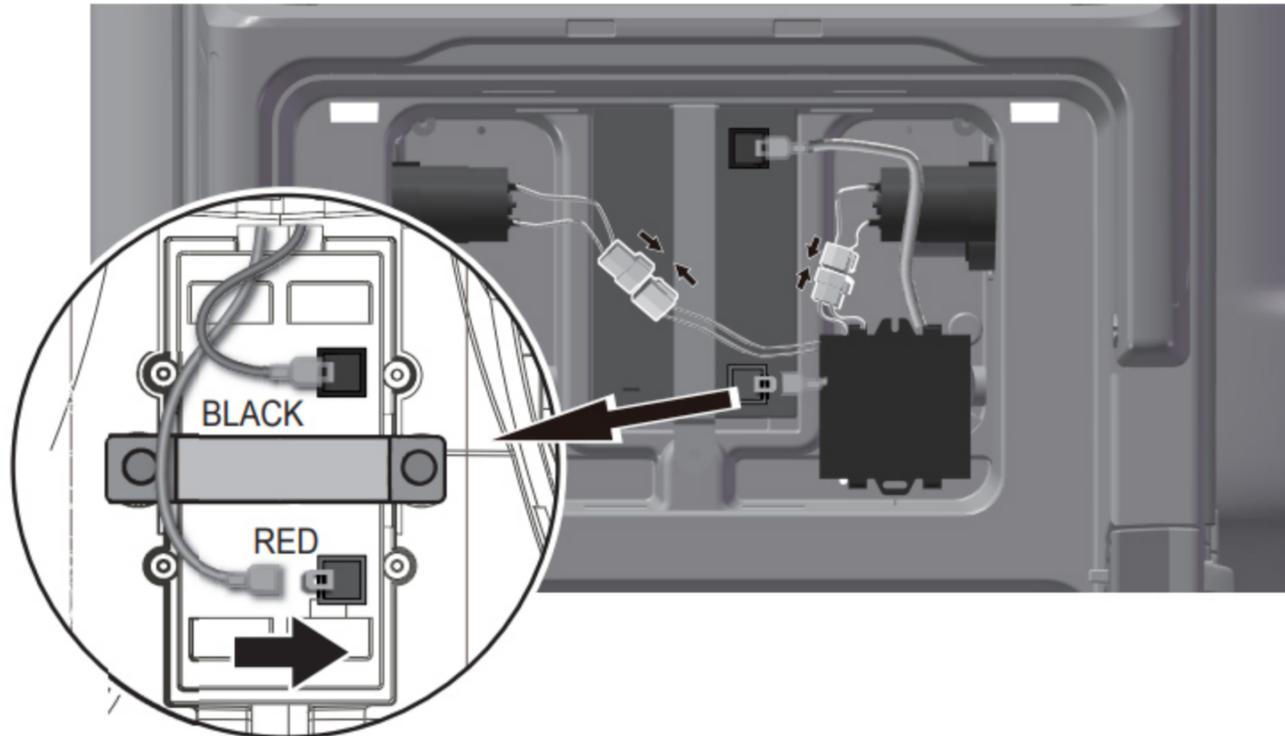
1. Install the rear tailstock and snap it into the designated card slot of the car body;
2. Use 2 self-tapping screws to fix.

16. Rear tube installation



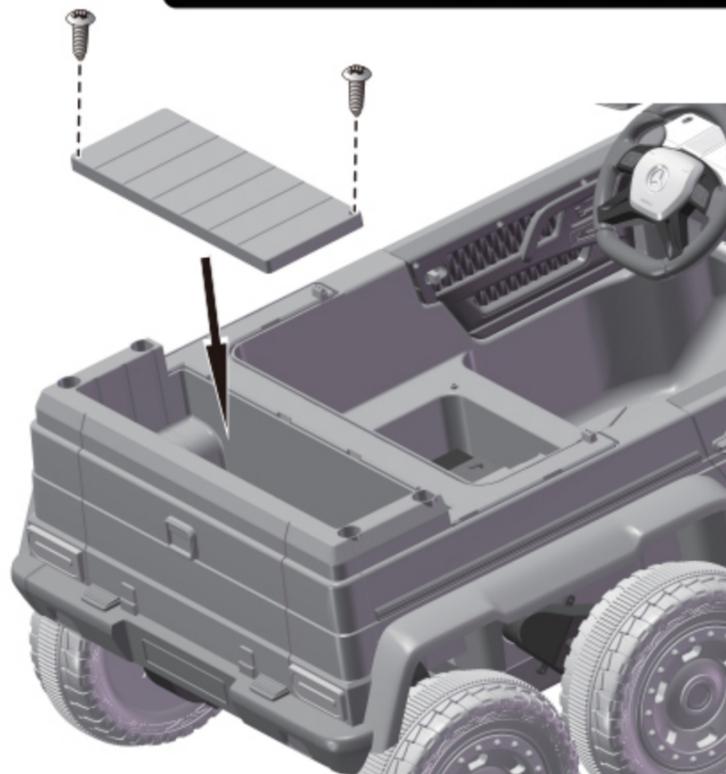
1. Assemble the rear round tubes 1, 2, and 3;
2. Clamp the assembled rear tube into the slot at the rear of the body.

13. Motor and battery connection



Note: When connecting the battery wire, insert the red wire into the red terminal and the black wire into the red terminal;
Pay attention to the left and right points when inserting the motor wires in pairs.

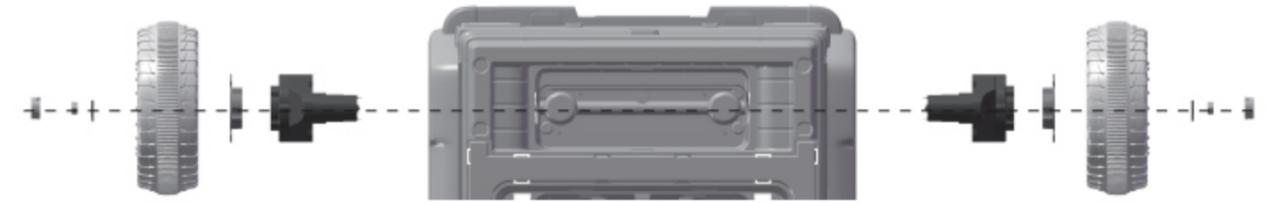
14. Rear cover installation



1. Put the back baffle into the tail box;
2. Use 2 self-tapping screws to fix.

8. Attach the rear wheel

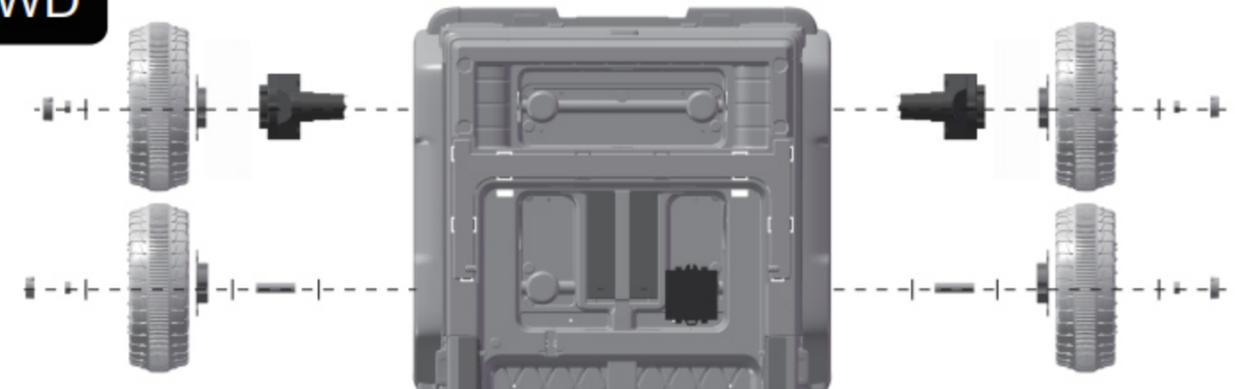
2WD



1. Install the drive motor;
2. Install the plum blossoms on the wheels and fix them with 4 screws;
3. Install the drive wheel with plum blossoms to ensure that the drive wheel plum blossoms are locked into the drive motor quincunx slot;
4. Install a gasket;
5. Fix with a wrench nut;
6. Clip into the wheel cover decoration Install the other side in the same way.

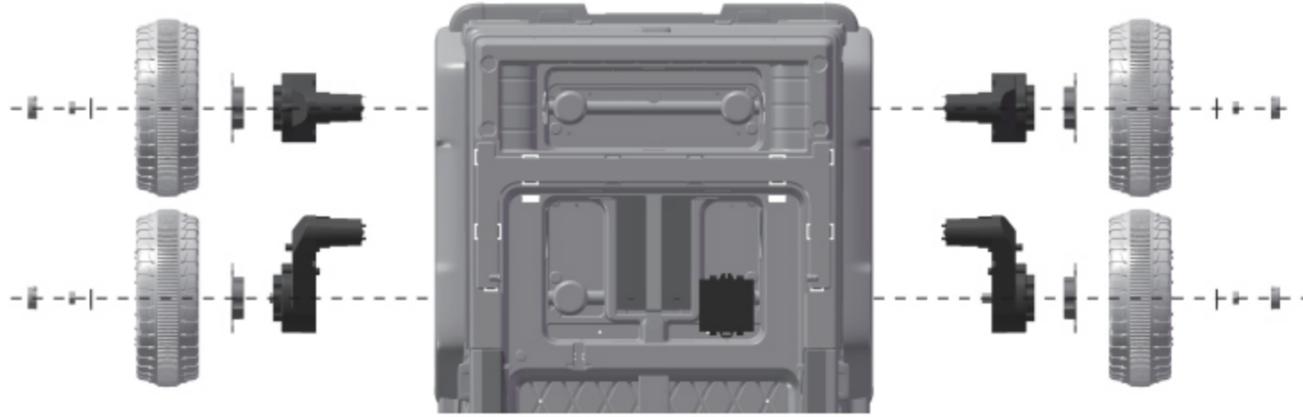
9. Attach the intermediate wheel

2WD



1. Install a M10 washer gasket on the bottom bracket;
2. Install a shaft sleeve;
3. Install another gasket;
4. Load the wheels;
5. Install another M10 washer;
6. Use a wrench to secure the M8 nut;
7. Clip into the wheel cover decoration Install the other side in the same way.

Four-wheel drive/ Six-wheel drive



1. Install the drive motor;
2. Install the plum blossoms on the wheels and fix them with 4 screws(Flat head);
3. Install the drive wheel with plum blossoms to ensure that the drive wheel plum blossoms are locked into the drive motor quincunx slot;
4. Install a M10 washer;
5. Use a wrench to secure the M8 nut;
6. Clip into the wheel cover decoration Install the other side in the same way.

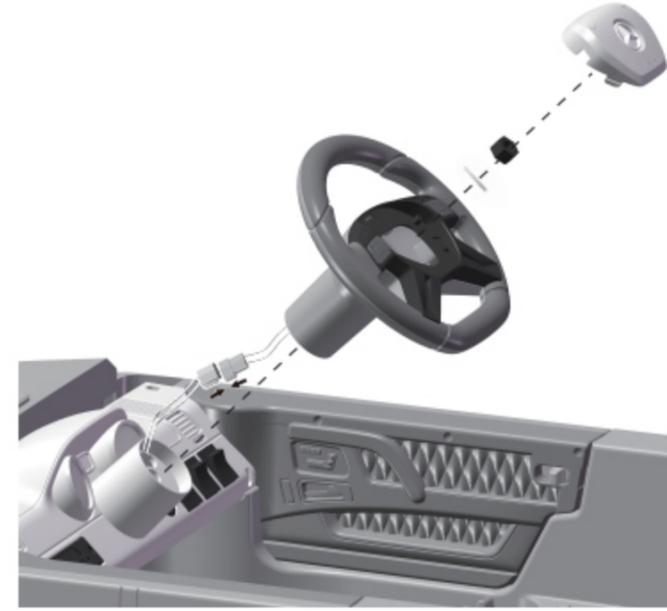
10. Steering rod installation



Turn over the vehicle body, make the bottom up:

1. Insert the steering rod into the steering motor hole as shown in the figure, and insert the steering rod hook into the hole of the steering iron part, and ensure that the steering rod iron part and the steering motor fit without gaps.

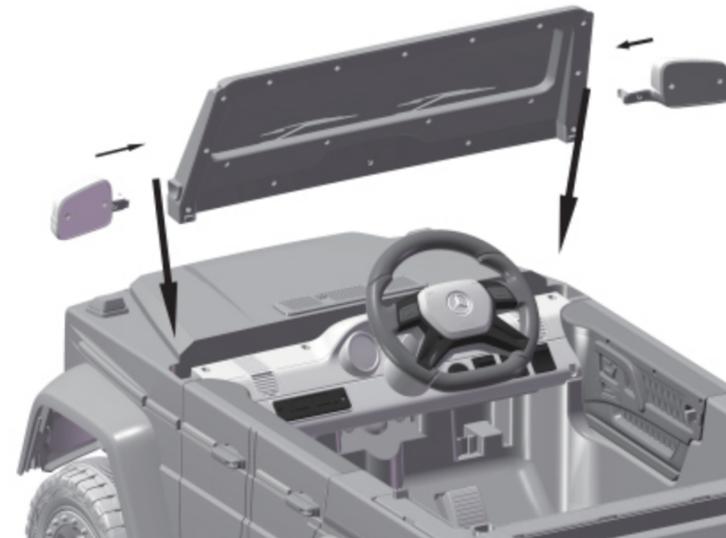
11. Steering wheel installation



Turn the vehicle over so that the front is facing up:

1. Connect the music plug-in on the steering wheel with the music plug-in next to the steering bar, and then put the plug-in into the hole on the lower side of the steering bar of the dashboard.
2. Insert the steering wheel. into the end of the steering rod, pay attention to the front and back of the steering wheel.
3. Install a M10 washer gasket on the steering rod.
4. Use a wrench to secure the M8 nut.
5. Snap into the steering wheel trim.

12. Windshield and rearview mirror installation



1. Clip the wind deflector into the corresponding card slot of the car body;
2. Insert the mirror into the slot on the side of the windshield.