



Item: DK-HL850

Toyota Hilux Ride On Car
Age Range: 37-95 Month
Maximum Weight: 50 KGS
Execution Standard:

GB6675&GB19865

EN71&EN62115

ASTM-F963



Pinghu Dake Baby Carrier Co.,Ltd

Address:No.88,Qinsha section,Pinglang Road,Xincang Town,
Pinghu City, Jiaxing City,Zhejiang Province

Website: www.daketoys.com

Specifications

Item	DK-HL850
Battery	12V10AH+2Motors/2*12V7AH+4Motors/2*12V10AH+4Motors
Motor	35W
Available Ages	Children from 37-95 month
Maximum Weight	50KGS
Size	140*92*74CM
Speed	3-5km/h
Charging Time	8-12hours
Remote Control Batteries	2PCS of AAA Batteries
Charger	Input: 220V/110V Output:DC12V1000MA

Charging the Drive Battery:



IMPORTANT! Before using the unit for the first time the battery needs to be charged for at least **8 to 12** hours - no more than **20** hours. Once battery is depleted, recharge for **8 to 12** hours - no more than **20** hours.

IMPORTANT!

Check the drive battery and charger (supply cord, connector) for wear and damage before charging. Do not charge the battery if damage has occurred. Only replace with the same type and voltage rechargeable battery and charger supplied by the manufacturer.

- Only use the rechargeable battery (or equivalent replacement) and charger supplied with your vehicle.
- Always turn power off and charge battery after riding.
- The drive battery should be charged when depleted, or if not used regularly, once a month. Failure to charge the battery as directed will cause permanent damage to the battery and will void the warranty.

STEPS:

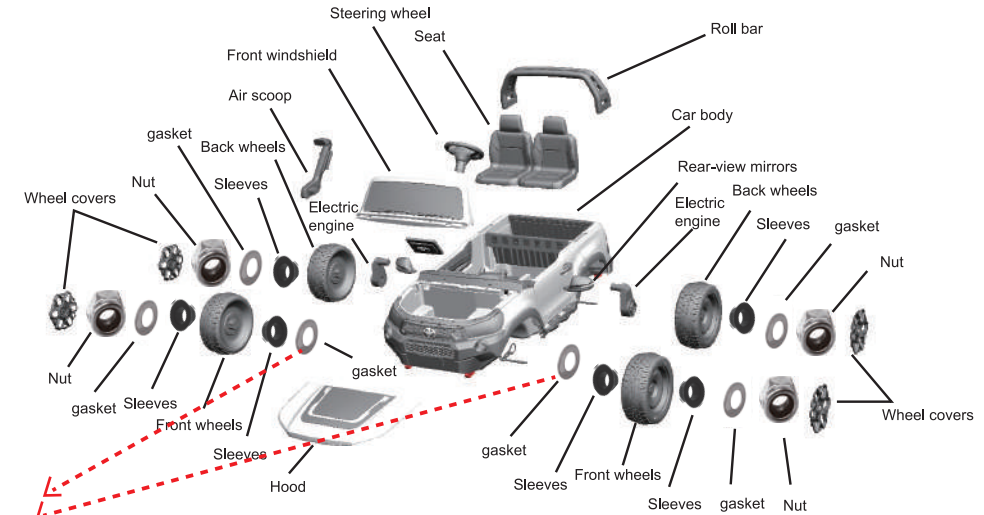
1. Locate Charging Port.
2. Plug Charger plug into unit Charging Port.
3. Plug Charger into Wall outlet.
4. When battery is fully charged, unplug charger from the wall outlet and disconnect from charger port.

NOTE: The charger may feel warm during the charging. If excessively hot, unplug and replace.

NOTE: This product has charging protection: When charging, all functions are turned OFF.

Installation procedure

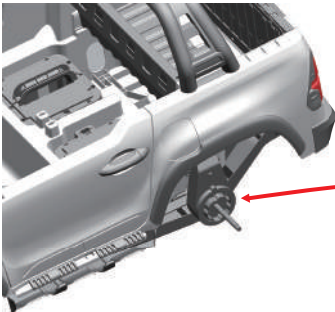
Car body 1PC	Front windshield 1PC	Hood 1PC	Steering wheel 1PC
Roll bar 1PC	Seat 2PCS	Front wheels 2PCS	Back wheels 2PCS
Wheel covers 4PCS	Rear-view mirrors 1 Pair	Charger 1PC	Remote control 1PC
Manual 1PC	Air scoop 1PC	Bag of screws&nuts	Key 2PCS
Tools of M10 screw 2PCS			



These 2 gaskets are only used under two motors version.

All of the sleeves are only used with EVA wheels.

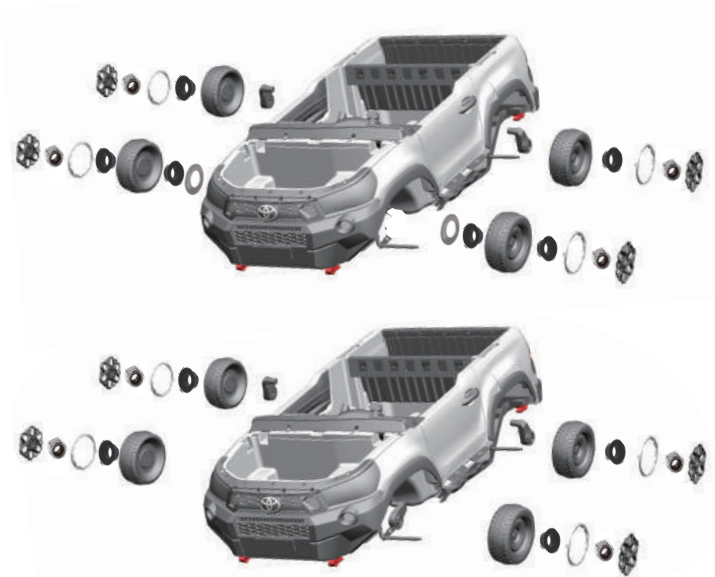
1. Install Driving Motors



Get out driving motors(left&right), and turn over the car body, install driving motors onto the back axle.

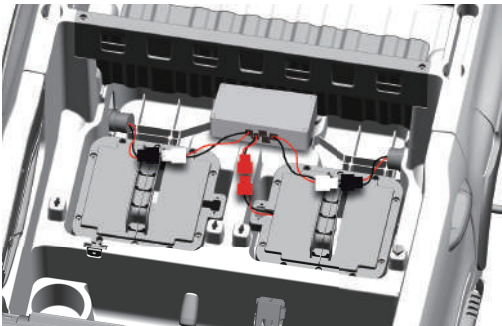
Installation procedure

2.Install Wheels



- 1). Under two motors situation: Front wheels: gasket-(sleeves)-wheel-(sleeves)-gasket-screw-wheel cover
Back wheels: steering motor-wheel-(sleeves)-gasket-screw-wheel cover
- 2). Under four motors situation: Front wheels: wheel-(sleeves)-gasket-screw-wheel cover
Back wheels: steering motor-wheel-(sleeves)-gasket-screw-wheel cover

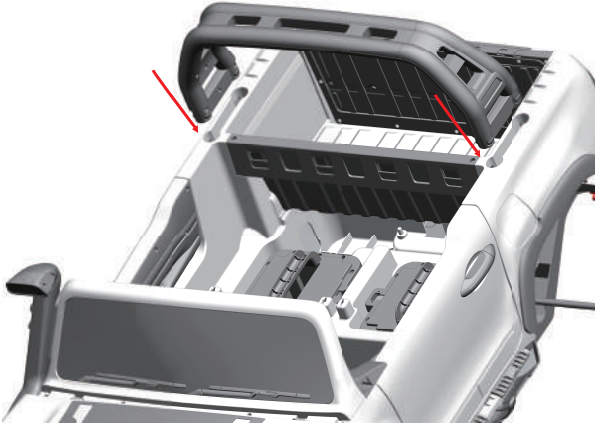
3.Install Back Driving Motors:



- 1) Make the car body straight
- 2) Connect back driving motors and power.

Installation procedure

4. Install Roll Bar



Aim the roll bar at the sockets of car body, press directly.

5. Install seats



Install seat and make the fastener into the sockets, and rotate 90° to lock well.

6. Install Steering wheel



Connect button line of steering wheel with body line and install steering wheel directly.

7. Install Front Windshield



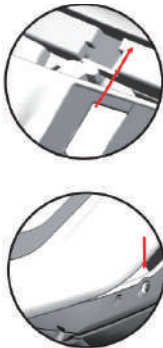
Make two sides of the windshield into the sockets and lock in with screws.

8. Install Air Scoop



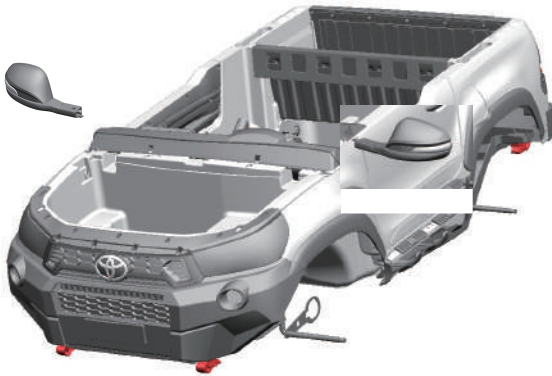
Install air scoop directly into the socket of car body, and use the screws to lock in with inside of car body and front windshield.

9. Install Hood



- 1) Insert two buckles at the back part of hood into the two sockets of front windshield and fix.
- 2) Insert two pillars at the front part of hood into the holes of car body.

10. Install Rear-view Mirrors



Install rear-view mirrors of both sides into the sockets of instrument desk.

11. Connect with Remote Control



For first time use or after replacing the battery, select not to pair. The car will power on after turning the ignition key.

If you choose to pair the remote control with the car, please follow the instructions below.

Step1. Insert two AAA 1.5V batteries into the battery compartment of the remote control. Ensure the battery polarity is matched correctly. If the frequency lights flashes then the battery is correctly installed.

Step 2: Hold the Car Select button for 2-3 seconds.

Step 3: Turn on the ignition key to turn on the car.

*Manufactured according to FCC certification testing and ECM credential.

*This remote is to be used by adult only.

Warning-When replacing a replaceable battery,first open the lid and take out the old battery.Put in the new battery,pay attention to the positive and negative poles,cover the lid.



WARNING!

For safety reasons,

*please use this vehicle under adult guidance and supervision.

*do not use this product on main roads, slopes, highways or other dangerous places.

*children must wear shoes and protective gears when operating the vehicle.

*children should be seated with the seat belt fasten when driving.

*only load a maximum of 50Kg on the vehicle.

*only children aged 37 - 95 months should be allowed on this vehicle.

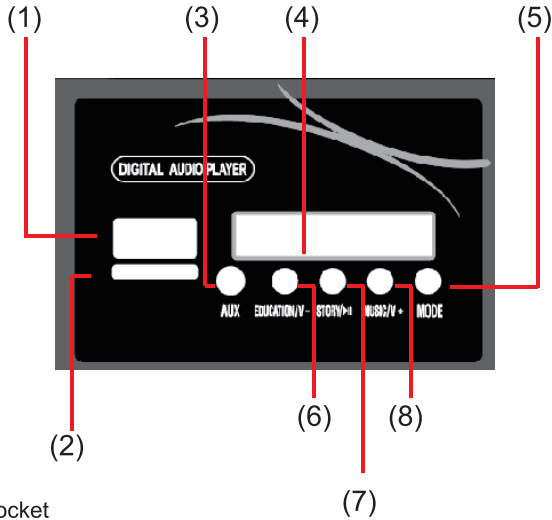
*use this toy strictly according to safety manual.

*please check the tires, breaks, steering wheels, seats and seat belts before operating vehicle.

*this toy vehicle should be used with caution and requires skill to avoid fall or collision with third parties.

Pictures are for reference only, please adhere to the original products as standard

Instructions



- 1.USB socket
- 2.TF socket
- 3.MP3 socket
- 4.Disply
- 5.MODE choose(Radio/Bluetooth/TF card/USB connector)
- 6.Education(Pressing for a longer time and it will lower the volume)
- 7.Story(Play/ Pause under the Bluetooth/TF/USB functions)
- 8.Music(Pressing for a longer time and it will higher the volume)

Function indication

On the premise that the battery has been correctly connected,start the trolley circuit system

The connection of steering wheel includes button connection

Forward and backward switch

Key switch



Song switching and horn button

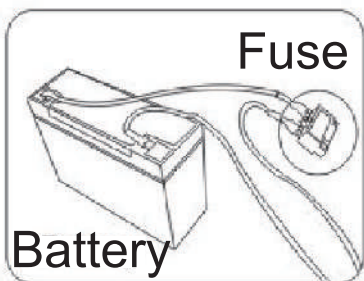
Be careful

1. When the vehicle is running, do not switch the push handle forward and backward to avoid damaging the gearbox and motor.
2. In manual mode, the vehicle can run only when the foot switch is pressed.
3. The remote control is used by the guardian.

Problem: The car does not move.

Answer: The battery is low, please charge for 8-12 hours but not exceeding 20 hours.

Charge at least once a month to keep the battery cells active.



To avoid short fuse or power cut off:

1. Do not overload the product. Max load is 50 Kg.
2. Do not drag any item behind this product.
3. Do not allow water or any liquid into electric parts.
4. Do not change wire system without a professional.

TROUBLESHOOTING

Problem: The car only runs for a short time

Answer 1: The battery is low, please charge for 8-12 hours but not exceeding 20 hours.

Charge at least once a month to keep the battery cells active.

Answer 2: The battery may need to be replaced depending on its charging history and age.

Problem: The sound does not work.

Please ensure the volume is turned up and the MP3 line is not connected. Sounds from steering wheel will not work when MP3 is plugged in.

Problem: Charger overheating

It is normal for battery and charger to be slightly warm during charging. If the charger feel excessively hot, please check for a current overload or battery short circuit.

SAFETY PRECAUTIONS

01. While driving , adult supervision is required all the time
02. Always wear a helmet when driving
03. Please don't drive near road or on the footpath.
04. It is not recommended to drive the vehicle on wet surface or on slope greater than 15-degree.
05. It is recommended to drive this vehicle on smooth surface only.
06. Please don't drive this vehicle outdoors when it is raining.
07. Make sure that the vehicle stop completely before changing direction from forward to reverse
08. Please don't allow children to operate the charger or play with the battery
09. Clean the vehicle with a dry cloth only.
10. Please follow the correct weight and age limits allowed to drive this vehicle.
11. It is prohibited to change the circuit or add other electric parts.
12. Adults must teach their children about safe driving procedures.
13. Please turn the power off when not in use.
14. Check the seat to ensure it has been fitted and secured with a bolt before driving.
15. Inspect all wires and connection of the vehicle periodically.
16. Charging the battery should only be done by adults.
17. Charging plug is located underneath the seat.
18. In order to avoid accidents, please ensure the vehicle is safe before driving.
19. Please don't let children touch the wheels or be near them when the car is moving.
20. Please mind fingers when opening and closing doors.